



**CONNOS TABLE OF CONTENTS**

|                                    |    |
|------------------------------------|----|
| Connos Specifications .....        | 2  |
| Connos Options .....               | 3  |
| Connos Corner Units.....           | 4  |
| Connos Arc Units.....              | 5  |
| Connos Star & Star Grande.....     | 6  |
| Connos Bench .....                 | 8  |
| Connos Fabric Placement.....       | 10 |
| Connos Overall Dimensions.....     | 11 |
| Connos Sample Configurations ..... | 12 |

**CONNOS**

The Connos collection is an extensive and versatile modular bench, that features comfortable seating with simple designs and unique shapes. It offers straight, curved and corner units, complemented by fun ottomans with optional casters and tablet tables that are great for collaboration of small or large groups. Our Star and Star Grande designs, have unique patterns that will bring dynamic design to any space. Connos has endless configurations, and a great place to sit down and connect.



Round Corner



Square Corner



Arc



Star



Star Grande



Benches

**ORDERING INFORMATION**

- 1) Series Name
- 2) Model Number
- 3) Quantity
- 4) Fabric Grade & Number
- 5) Optional Items
- 6) Specify Laminate

| SOFT SEATING | WEIGHT LIMIT |
|--------------|--------------|
| 1 Seat       | 500 lbs.     |
| 2 Seat       | 1000 lbs.    |
| 3 Seat       | 1500 lbs.    |

**GENERAL SPECIFICATIONS**

**Upholstery**

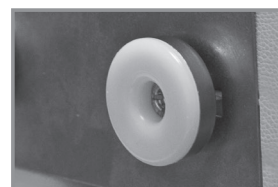
Seat is covered in choice of fabric, vinyl, crypton, leather or COM.

**Frame Construction**

Frame made out of hardwood with flexible webbing installed on seat for added support and soft sit. Frame is machine screwed to wood frame for durability.

**Glides**

Each unit comes with 4 adjustable 1-3/8" polyvinyl glides.



1-3/8" Dia. Glide

**OPTIONS**

---

- CODE: FR - CAL 133 (TB 133) Fire Retardant.
- CODE: MB - Moisture Barrier (1"-59"width)
- CODE: MB60 - Moisture Barrier (60"and up)
- CODE: 2FO - Two Fabric Option
- CODE: GD2 - Flat Ganging Device for Soft Seating
- CODE: FMG - Floor Mount Glide
- CODE: LAM5 - Non-standard laminate for 5 or less tablets  
see options for upcharge
- CODE: SST - Solid Surface Top
- CODE: SS5 - Non-standard Solid Surface top for 5 or less tablets
- CODE: E3D - Edge 3A 3MM PVC Woodtone
- CODE: E6F - Edge 6F Multi-Ply Exposed Core



Cove Power/Data/USB

**Factory installed power/data available, See accessories online under the 'Products' tab**



Floor Mount



Flat Ganging Bracket

**NOTE: Flat ganging devices used for curve and straight configurations**

| DIMENSIONS           | 90° Round Corner | 90° Square Corner |
|----------------------|------------------|-------------------|
| Overall Width:       | 42"              | 32"               |
| Overall Depth:       | 42"              | 32"               |
| Seat Height:         | 18"              | 18"               |
| # of Seats:          | 1                | 1                 |
| Qty./Wt. per carton: | 1 ea./47 lbs.    | 1 ea./47 lbs.     |

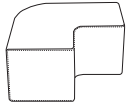


90° ROUND CORNER



90° SQUARE CORNER

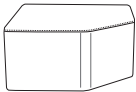
**MODEL / DESCRIPTION / LIST PRICING**



**7418** 90° Round Corner

COM Yardage: 4.5 Yds. / Seat: 1.5 Yds. / Base: 3 Yds.

| COM    | GR1    | GR2    | GR3    | GR4    | GR5    | GR6    | GR7    | GR8    | GR9    | GR10   | LEA    |
|--------|--------|--------|--------|--------|--------|--------|--------|--------|--------|--------|--------|
| \$2796 | \$2990 | \$3109 | \$3235 | \$3362 | \$3496 | \$3640 | \$3782 | \$3931 | \$4092 | \$4256 | \$5029 |



**7419** 90° Square Corner

COM Yardage: 3.25 Yds. / Seat: 1.5 Yd. / Base: 1.75 Yds.

| COM    | GR1    | GR2    | GR3    | GR4    | GR5    | GR6    | GR7    | GR8    | GR9    | GR10   | LEA    |
|--------|--------|--------|--------|--------|--------|--------|--------|--------|--------|--------|--------|
| \$2684 | \$2872 | \$2988 | \$3105 | \$3229 | \$3357 | \$3494 | \$3634 | \$3778 | \$3929 | \$4089 | \$4829 |

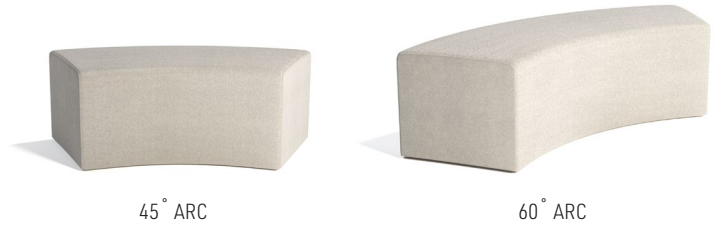
**OPTIONS**

Add upcharge to list price and code to model number

|     |  |       |      |
|-----|--|-------|------|
| FR  | CAL 133 (TB 133) Fire Retardant per yard | \$123 | /yd. |
| MB  | Moisture Barrier (1"-59"width)           | \$171 | ea.  |
| 2FO | Two Fabric Option                        | \$136 |      |

|     |                                      |       |          |
|-----|--------------------------------------|-------|----------|
| GD2 | Flat Ganging Device for Soft Seating | \$116 | per pair |
| FMG | Floor Mount Glide                    | \$30  | ea.      |

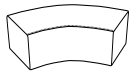
| DIMENSIONS           | 30° Arc       | 45° Arc       | 60° Arc       | 90° Arc       |
|----------------------|---------------|---------------|---------------|---------------|
| Overall Width:       | 26.5"         | 33"           | 43"           | 64"           |
| Overall Depth:       | 20"           | 20"           | 20"           | 20"           |
| Seat Height:         | 18"           | 18"           | 18"           | 18"           |
| # of Seats:          | 1             | 1             | 2             | 3             |
| Qty./Wt. per carton: | 1 ea./35 lbs. | 1 ea./40 lbs. | 1 ea./45 lbs. | 1 ea./50 lbs. |



**MODEL / DESCRIPTION / LIST PRICING**



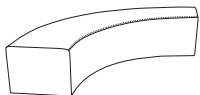
|             |         |   |        |        |        |        |        |        |        |        |        |  |
|-------------|---------|---|--------|--------|--------|--------|--------|--------|--------|--------|--------|--|
| <b>7414</b> | 30° Arc | COM Yardage: 3 Yds. / Top: 1 Yd. / Base: 2 Yds. |        |        |        |        |        |        |        |        |        |  |
| COM         | GR1     | GR2   | GR3    | GR4    | GR5    | GR6    | GR7    | GR8    | GR9    | GR10   | LEA    |  |
| \$1613      | \$1725  | \$1795  | \$1867 | \$1942 | \$2020 | \$2099 | \$2181 | \$2271 | \$2359 | \$2454 | \$2903 |  |



|             |         |  |        |        |        |        |        |        |        |        |        |  |
|-------------|---------|--|--------|--------|--------|--------|--------|--------|--------|--------|--------|--|
| <b>7415</b> | 45° Arc | COM Yardage: 4.5 Yds. / Top: 2 Yds. / Base: 2.5 Yds. |        |        |        |        |        |        |        |        |        |  |
| COM         | GR1     | GR2  | GR3    | GR4    | GR5    | GR6    | GR7    | GR8    | GR9    | GR10   | LEA    |  |
| \$2181      | \$2338  | \$2429   | \$2529 | \$2627 | \$2731 | \$2842 | \$2958 | \$3074 | \$3200 | \$3326 | \$3929 |  |



|             |         |  |        |        |        |        |        |        |        |        |        |  |
|-------------|---------|--|--------|--------|--------|--------|--------|--------|--------|--------|--------|--|
| <b>7416</b> | 60° Arc | COM Yardage: 4.75 Yds. / Top: 2 Yds. / Base: 2.75 Yds. |        |        |        |        |        |        |        |        |        |  |
| COM         | GR1     | GR2  | GR3    | GR4    | GR5    | GR6    | GR7    | GR8    | GR9    | GR10   | LEA    |  |
| \$2527      | \$2702  | \$2808   | \$2922 | \$3039 | \$3161 | \$3288 | \$3421 | \$3554 | \$3697 | \$3846 | \$4544 |  |



|             |         |   |        |        |        |        |        |        |        |        |        |  |
|-------------|---------|---|--------|--------|--------|--------|--------|--------|--------|--------|--------|--|
| <b>7417</b> | 90° Arc | COM Yardage: 7 Yds. / Seat: 3.5 Yds. / Base: 3.5 Yds. |        |        |        |        |        |        |        |        |        |  |
| COM         | GR1     | GR2   | GR3    | GR4    | GR5    | GR6    | GR7    | GR8    | GR9    | GR10   | LEA    |  |
| \$2952      | \$3156  | \$3284  | \$3412 | \$3551 | \$3692 | \$3841 | \$3998 | \$4153 | \$4320 | \$4495 | \$5309 |  |

**OPTIONS**

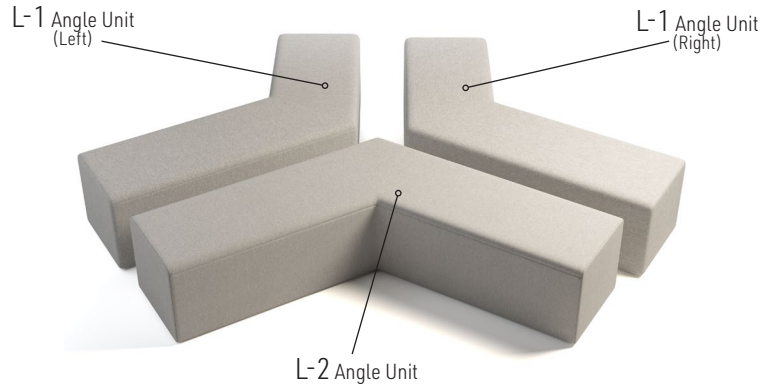
Add upcharge to list price and code to model number

|      |  |       |      |     |                                      |       |          |
|------|--|-------|------|-----|--------------------------------------|-------|----------|
| FR   | CAL 133 (TB 133) Fire Retardant per yard | \$123 | /yd. | 2FO | Two Fabric Option                    | \$136 |          |
| MB   | Moisture Barrier (1"-59"width)           | \$171 | ea.  | GD2 | Flat Ganging Device for Soft Seating | \$116 | per pair |
| MB60 | Moisture Barrier (60"and up)             | \$272 | ea.  | FMG | Floor Mount Glide                    | \$30  | ea.      |

| DIMENSIONS           | Star          | L-1 Angle Unit | L-2 Angle Unit |
|----------------------|---------------|----------------|----------------|
| Overall Width:       | 48"           | 70"            | 97"            |
| Overall Depth:       | 55"           | 20"            | 20"            |
| Seat Height:         | 18"           | 18"            | 18"            |
| Qty./Wt. per carton: | 1 ea./40 lbs. | 1 ea./50 lbs.  | 1 ea./55 lbs.  |

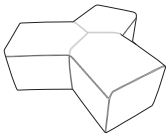


STAR



STAR GRANDE

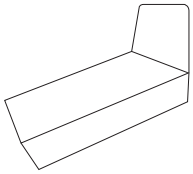
**MODEL / DESCRIPTION / LIST PRICING**



**7410** Star (One piece construction)

COM Yardage: 5.5 Yds. / Top: 2.5 Yd. / Base: 3 Yds.

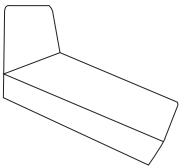
| COM    | GR1    | GR2    | GR3    | GR4    | GR5    | GR6    | GR7    | GR8    | GR9    | GR10   | LEA     |
|--------|--------|--------|--------|--------|--------|--------|--------|--------|--------|--------|---------|
| \$6283 | \$6725 | \$6993 | \$7271 | \$7562 | \$7864 | \$8178 | \$8505 | \$8845 | \$9199 | \$9569 | \$11307 |



**7412L** L-1 Angle Unit (Left)

COM Yardage: 6.5 Yds. / Top: 2.5 Yds. / Base: 4 Yds.

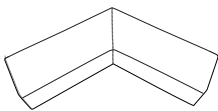
| COM    | GR1    | GR2    | GR3    | GR4    | GR5    | GR6    | GR7    | GR8    | GR9    | GR10   | LEA    |
|--------|--------|--------|--------|--------|--------|--------|--------|--------|--------|--------|--------|
| \$5019 | \$5372 | \$5586 | \$5810 | \$6042 | \$6283 | \$6537 | \$6795 | \$7070 | \$7350 | \$7644 | \$9037 |



**7412R** L-1 Angle Unit (Right)

COM Yardage: 6.5 Yds. / Top: 2.5 Yds. / Base: 4 Yds.

| COM    | GR1    | GR2    | GR3    | GR4    | GR5    | GR6    | GR7    | GR8    | GR9    | GR10   | LEA    |
|--------|--------|--------|--------|--------|--------|--------|--------|--------|--------|--------|--------|
| \$5019 | \$5372 | \$5586 | \$5810 | \$6042 | \$6283 | \$6537 | \$6795 | \$7070 | \$7350 | \$7644 | \$9037 |



**7413** L-2 Angle Unit

COM Yardage: 6.5 Yds. / Top: 2.5 Yds. / Base: 4 Yds.

| COM    | GR1    | GR2    | GR3    | GR4    | GR5    | GR6    | GR7    | GR8    | GR9    | GR10   | LEA     |
|--------|--------|--------|--------|--------|--------|--------|--------|--------|--------|--------|---------|
| \$5989 | \$6408 | \$6667 | \$6931 | \$7208 | \$7497 | \$7798 | \$8110 | \$8432 | \$8770 | \$9121 | \$10782 |

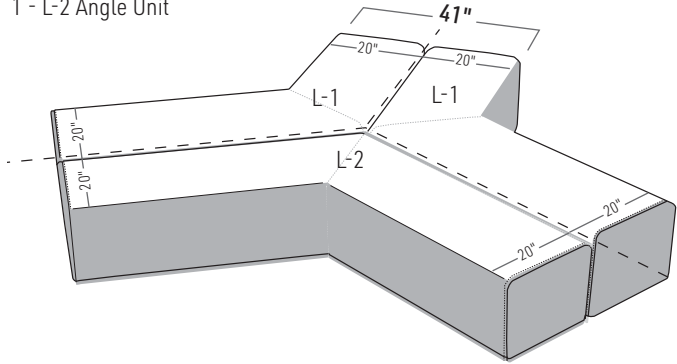
**OPTIONS**

Add upcharge to list price and code to model number

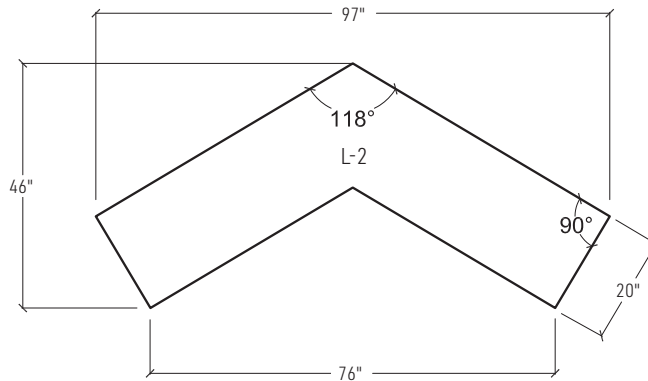
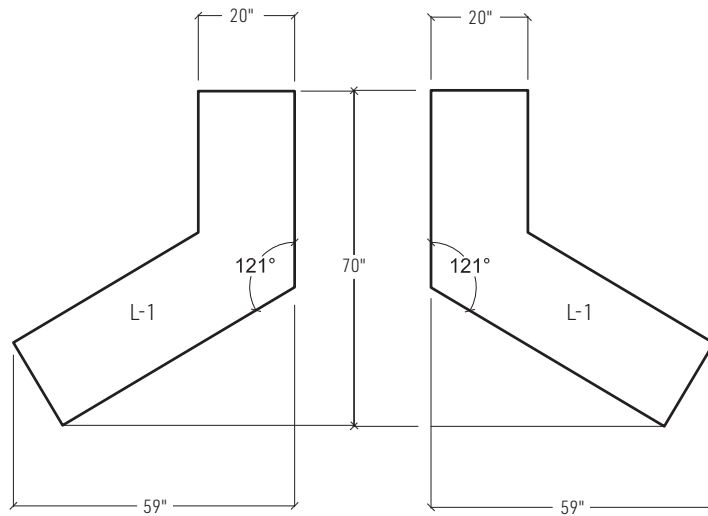
|      |  |       |      |
|------|--|-------|------|
| FR   | CAL 133 (TB 133) Fire Retardant per yard | \$123 | /yd. |
| MB   | Moisture Barrier (1"-59"width)           | \$171 | ea.  |
| MB60 | Moisture Barrier (60"and up)             | \$272 | ea.  |

|     |                                      |       |          |
|-----|--------------------------------------|-------|----------|
| 2FO | Two Fabric Option                    | \$136 |          |
| GD2 | Flat Ganging Device for Soft Seating | \$116 | per pair |
| FMG | Floor Mount Glide                    | \$30  | ea.      |

Star Grande consists of 3 pieces:  
2 - L-1 Angle Unit  
1 - L-2 Angle Unit



**STAR GRANDE**



**STAR GRANDE**

Note: The three illustrated components above are required for the Star Grande configuration.

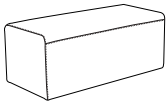
| DIMENSIONS           | Two seat bench | Three seat bench |
|----------------------|----------------|------------------|
| Overall Width:       | 42"            | 64"              |
| Overall Depth:       | 20"            | 20"              |
| Seat Height:         | 18"            | 18"              |
| Qty./Wt. per carton: | 1 ea./42 lbs.  | 1 ea./42 lbs.    |



TWO SEAT BENCH

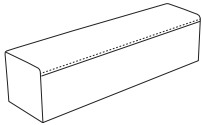
THREE SEAT BENCH

**MODEL / DESCRIPTION / LIST PRICING**



**7406** Two seat bench COM Yardage: 4.75 Yds. / Top: 1.75 Yds. / Sides: 3 Yds.

| COM    | GR1    | GR2    | GR3    | GR4    | GR5    | GR6    | GR7    | GR8    | GR9    | GR10   | LEA    |
|--------|--------|--------|--------|--------|--------|--------|--------|--------|--------|--------|--------|
| \$2268 | \$2424 | \$2521 | \$2624 | \$2727 | \$2836 | \$2952 | \$3068 | \$3191 | \$3319 | \$3452 | \$4081 |



**7408** Three Seat Bench COM Yardage: 6 Yds. / Top: 2.5 Yds. / Base: 3.5 Yds..

| COM    | GR1    | GR2    | GR3    | GR4    | GR5    | GR6    | GR7    | GR8    | GR9    | GR10   | LEA    |
|--------|--------|--------|--------|--------|--------|--------|--------|--------|--------|--------|--------|
| \$2694 | \$2882 | \$2997 | \$3116 | \$3241 | \$3374 | \$3506 | \$3646 | \$3791 | \$3946 | \$4101 | \$4846 |

**OPTIONS**

Add upcharge to list price and code to model number

|      |  |       |          |
|------|--|-------|----------|
| FR   | CAL 133 (TB 133) Fire Retardant per yard | \$123 | /yd.     |
| MB   | Moisture Barrier (1"-59"width)           | \$171 | ea.      |
| MB60 | Moisture Barrier (60"and up)             | \$272 | ea.      |
| GD2  | Flat Ganging Device for Soft Seating     | \$116 | per pair |
| FMG  | Floor Mount Glide                        | \$30  | ea.      |

|      |   |                |            |
|------|---|----------------|------------|
| LAM5 | Non-standard laminate (5 tablets or less)       | \$576          | ea. tablet |
| SST  | Solid Surface Tablet Arm - add to tablet option | \$282          | ea. tablet |
| SS5  | Non-standard Solid Surface (5 tablets or less)  | Call For Quote |            |
| 2FO  | Two Fabric Option                               | \$136          |            |



| DIMENSIONS           | 1 seat bench w/<br>online end table<br>(Laminate Top) | 2 seat bench w/<br>online end table<br>(Laminate Top) | 2 seat bench w/<br>online middle table<br>(Laminate Top) |
|----------------------|---|---|--|
| Overall Width:       | 42"   | 64"   | 64"  |
| Overall Depth:       | 20"   | 20"   | 20"  |
| Seat Height:         | 18"   | 18"   | 18"  |
| Table Height:        | 16"   | 16"   | 16"  |
| Qty./Wt. per carton: | 1 ea./25 lbs.   | 1 ea./30 lbs.   | 1 ea./35 lbs.  |

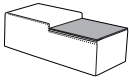
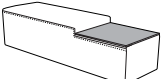
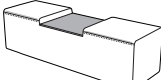
**Laminate Top Note:**

- Tops are 3/4" laminate
- Std with 2C 3mm solid PVC
- Upcharge for these edges
  - 3D - 3mm Woodtone
  - 6F - Multi-Exposed core



TWO SEAT BENCH W/ LAMINATE TOP ONLINE END TABLE

**MODEL / DESCRIPTION / LIST PRICING**

| MODEL  | DESCRIPTION                                      | COM  | GR1    | GR2    | GR3    | GR4    | GR5    | GR6    | GR7    | GR8    | GR9    | GR10   | LEA    |
|--|--|--|--------|--------|--------|--------|--------|--------|--------|--------|--------|--------|--------|
| <b>7420</b>  | 1 Seat Bench w/ Laminate Top Online Table        | COM Yardage: 4.25 Yds. / Top: 1.75 Yds. / Base: 2.5 Yds. |        |        |        |        |        |        |        |        |        |        |        |
|   |  | \$2798   | \$2992 | \$3113 | \$3240 | \$3365 | \$3501 | \$3642 | \$3788 | \$3940 | \$4098 | \$4259 | \$5038 |
| <b>7421</b>  | 2 Seat Bench w/ Laminate Top Online End Table    | COM Yardage: 5.25 Yds. / Seat: 2 Yds. / Base: 3.25 Yds.  |        |        |        |        |        |        |        |        |        |        |        |
|    |  | \$3294   | \$3522 | \$3662 | \$3810 | \$3958 | \$4118 | \$4284 | \$4456 | \$4631 | \$4817 | \$5009 | \$5923 |
| <b>7422</b>  | 2 Seat Bench w/ Laminate Top Online Center Table | COM Yardage: 5.25 Yds. / Seat: 2 Yds. / Base: 3.25 Yds.  |        |        |        |        |        |        |        |        |        |        |        |
|  |  | \$3294   | \$3522 | \$3662 | \$3810 | \$3958 | \$4118 | \$4284 | \$4456 | \$4631 | \$4817 | \$5009 | \$5923 |

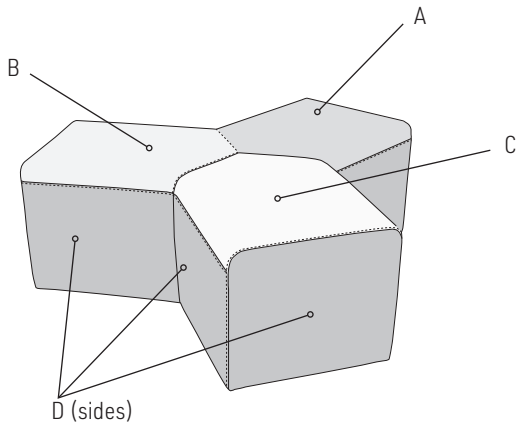
**OPTIONS**

Add upcharge to list price and code to model number

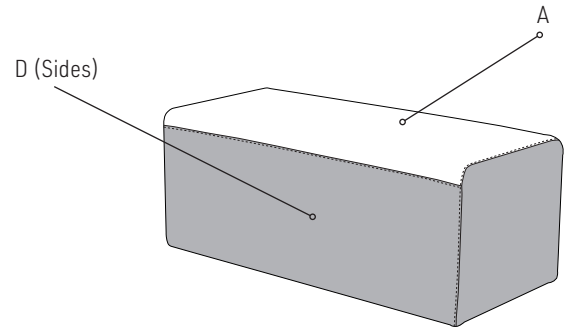
|      |  |       |          |
|------|--|-------|----------|
| FR   | CAL 133 (TB 133) Fire Retardant per yard | \$123 | /yd.     |
| MB   | Moisture Barrier (1"-59"width)           | \$171 | ea.      |
| MB60 | Moisture Barrier (60"and up)             | \$272 | ea.      |
| 2FO  | Two Fabric Option                        | \$136 |          |
| GD2  | Flat Ganging Device for Soft Seating     | \$116 | per pair |
| FMG  | Floor Mount Glide                        | \$30  | ea.      |

|      |  |                |            |
|------|--|----------------|------------|
| LAM5 | Non-standard laminate (5 tablets or less)      | \$576          | ea. tablet |
| SS5  | Non-standard Solid Surface (5 tablets or less) | Call For Quote |            |
| SST  | Solid Surface                                  | CALL           |            |
| E3D  | 3D PVC 3MM Woodtone Table Edge                 | \$177          |            |
| E6F  | 6F Exposed Multi-Ply Table Edge                | \$459          |            |

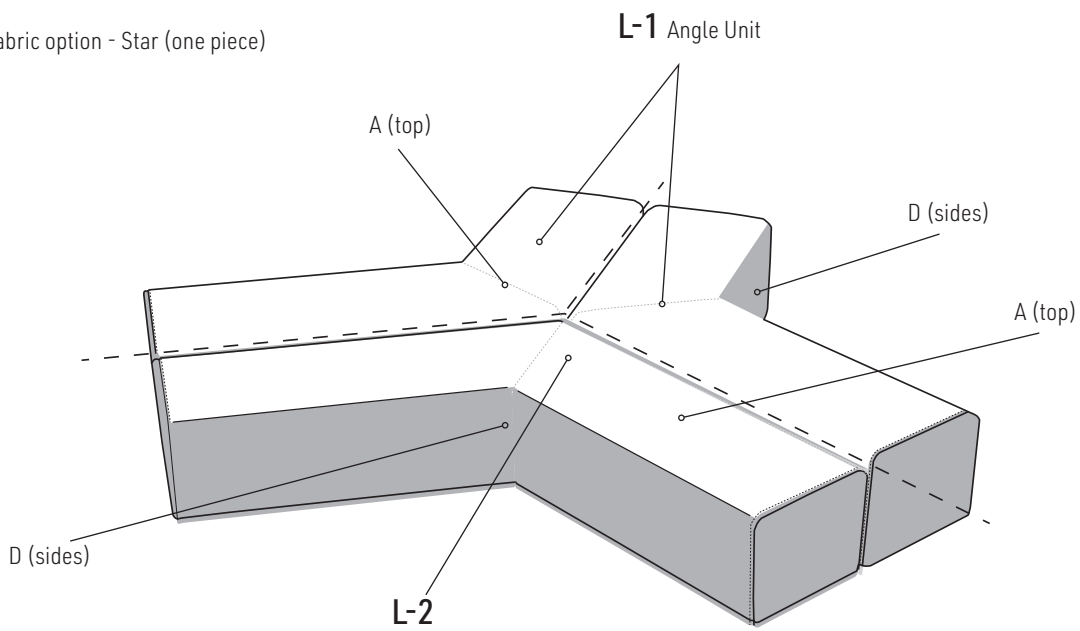
Choose from the following fabric options:



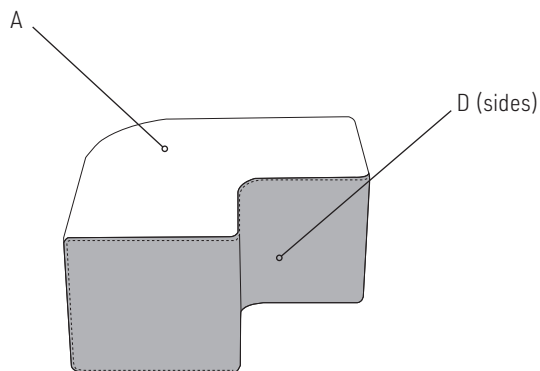
4 Fabric option - Star (one piece)



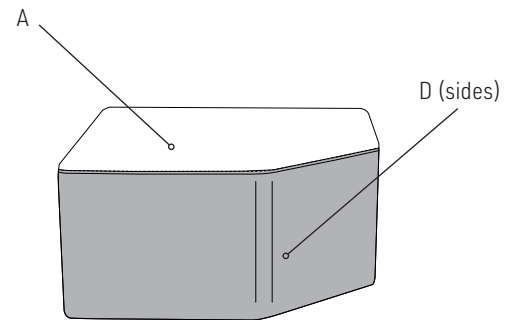
2 Fabric option - Bench



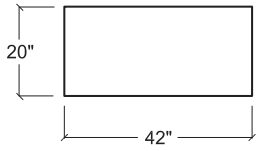
2 Fabric option - Star Grande - L-1 Angle Unit and L-2 Angle Unit (3-pieces)



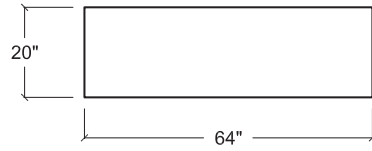
2 Fabric option - 90° Round Corner



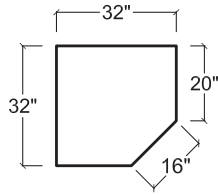
2 Fabric option - Square Corner



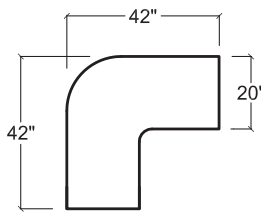
TWO SEAT BENCH



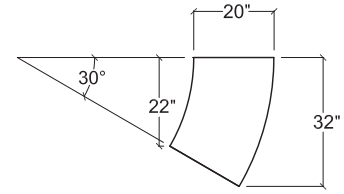
THREE SEAT BENCH



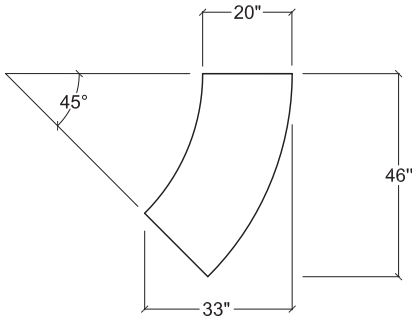
90° SQUARE CORNER



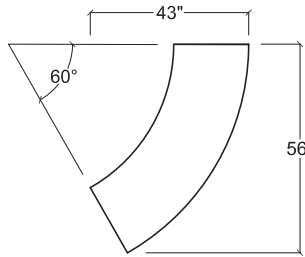
90° ROUND CORNER



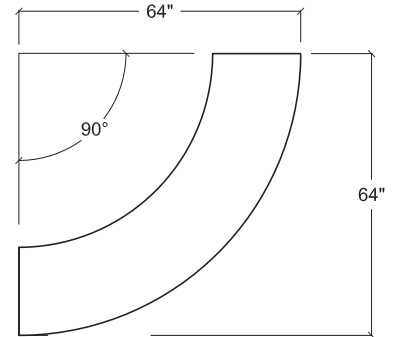
30° ARC



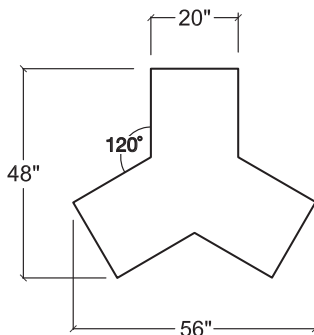
45° ARC



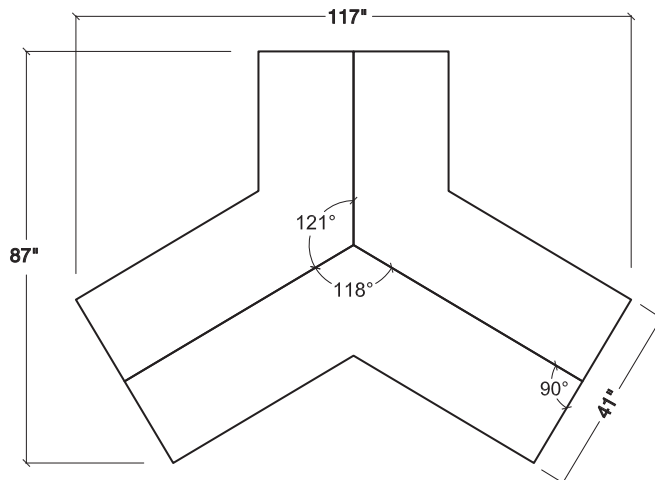
60° ARC



90° ARC



STAR



STAR GRANDE