

POST

Post tables offer some classic and unique table top shapes, that are great for focused or group activities for training room spaces. It has additional lower heights for children's applications and two leg designs of square or round legs.



24" SQUARE CAFÉ TABLE



48X72" CONFERENCE TABLE

ORDERING INFORMATION

- | | |
|--------------------------|-------------------------------|
| 1) Series Name | 6) Laminate Selection and No. |
| 2) Model Number | 7) Edge Style Code and Color |
| 3) Size | 8) Optional Items |
| 4) Quantity | |
| 5) Leg Powder Coat Color | |

BASE SPECIFICATIONS

Café Legs: The Post leg is made with 2", 14 gauge steel tubing. Round leg is standard, square leg is optional.

Conference Legs: The Post Conference leg is made with 3", 14 gauge round steel tubing.

Plate: 2" x 4" or 8" x 8" stamped metal plate

Glides: Adjustable steel glides

Assembly: Post base is a completely welded one piece base, no tie-rod assembly. The top plate is welded to the vertical column. Base mounts to tabletop with ¼-20 x 1" machine screws into metal inserts in top; NO WOOD SCREWS ARE USED. For tables over 72" in length, two heavy duty steel stretcher bars are provided.

STANDARD BASE FINISHES

Round Leg: Standard Powder Coat

OPTIONAL BASE FINISHES

Round Leg: Polished Chrome

Square Leg: Standard Powder Coat



ROUND LEG

TABLE TOP SPECIFICATIONS

Table Tops

Table top core is CARB Phase I & Phase II Compliant. Laminate, wood veneer and phenolic backing are glued with water based adhesives.

Easy-Fold Mechanism

Lightweight, heavy-duty, and very easy to operate. On folding models, lightweight designer-styled mechanism offers soft visual aesthetics ("non-industrial look"), consists of a nylon injection molded housing, cast aluminum pivot and metal locking slider. Rigid, taper locking design is activated by single lever that also locks in folded position. Legs fold flat and can be stored horizontally. ANSI/BIFMA tested. Round legs are only available on folding.

COLOR / EDGE SELECTIONS

Laminate/Veneer Selections

ERG offers over 1000 standard laminate choices from Nevamar, Wilsonart, Formica and Pionite. Wood veneer is available in transparent stain colors - custom stain matching available for an upcharge.

Edge Selections

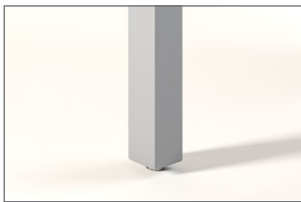
ERG offers a wide variety of table top edge materials including PVC, wood, aluminum and resin/urethane.

Special Edge Note: When ganging or butting tables together, ERG recommends using 3MM flat edge or flat wood edge. Square tables using **T-MOLD** edge will have a 3" radius on all corners.

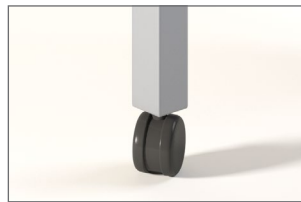
OPTIONS

- CODE: SL - 2" Square Post Legs
- CODE: CAS3 - 3" Locking Casters - Black
- CODE: GD3 - Flat Ganging Device for Café & Training Tables
- CODE: STH - Special Table Height (other than 29")
- CODE: PC - Polished Chrome Legs (round leg only)
- CODE: RAD - 3" Radius Corners for 3MM Edge
- CODE: SLG - Self-Leveling Glide
- CODE: COT - Oval table top
- CODE: CBT - Boat table top
- CODE: CAT - Almost Rectangle Table Top

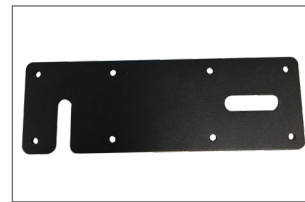
Note: When ordering modesty panel, table and panel must have 3MM edge.



SQUARE LEG



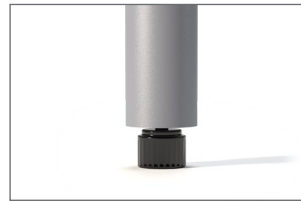
BLACK LOCKING CASTERS



FLAT GANGING DEVICE



POLISHED CHROME LEGS



SELF LEVELING GLIDE

OPTIONAL CONFERENCE TABLE SHAPES



OVAL TOP
CODE: COT



BOAT TOP
CODE: CBT



ALMOST RECTANGLE TOP
CODE: CAT



48" ALMOST SQUARE CAFÉ TABLE
SHOWN WITH OPTIONAL SQUARE LEGS

MODEL / DESCRIPTION / LIST PRICING

POST | CAFÉ | ROUND



ROUND

Model Number	TableTop Size	Number of Legs	Table Height	Shpg. Wght	LAMINATE TOP ASSORTED EDGES							VENEER TOP	
					GRP1	GRP2	GRP3	GRP4	GRP5	GRP6	GRP7	GRP8	GRP9
PT24D	24"Dia.	4	29"	32	\$767	\$780	\$800	\$871	\$1013	\$1134	\$1279	\$1825	\$2106
PT30D	30"Dia.	4	29"	43	\$977	\$992	\$1023	\$1117	\$1308	\$1466	\$1658	\$2337	\$2682
PT36D	36"Dia.	4	29"	53	\$1048	\$1071	\$1116	\$1232	\$1462	\$1653	\$1887	\$2561	\$2884
PT42D	42"Dia.	4	29"	72	\$1238	\$1271	\$1362	\$1530	\$1865	\$2145	\$2481	\$3151	\$3415
PT48D	48"Dia.	4	29"	86	\$1430	\$1467	\$1585	\$1786	\$2193	\$2533	\$2940	\$3675	\$3942
PT54D	54"Dia.	4	29"	101	\$1723	\$1769	\$1920	\$2178	\$2692	\$3122	\$3637	\$4467	\$4739
PT60D	60"Dia.	4	29"	118	\$1868	\$1920	\$2108	\$2406	\$3000	\$3498	\$4093	\$4916	\$5145

POST | CAFÉ | SQUARE



SQUARE

Model Number	TableTop Size	Number of Legs	Table Height	Shpg. Wght	LAMINATE TOP ASSORTED EDGES							VENEER TOP	
					GRP1	GRP2	GRP3	GRP4	GRP5	GRP6	GRP7	GRP8	GRP9
PT24S	24"Sq.	4	29"	40	\$901	\$913	\$924	\$1001	\$1149	\$1273	\$1423	\$2106	\$2472
PT2430S	24x30Sq.	4	29"	49	\$947	\$960	\$985	\$1072	\$1247	\$1391	\$1567	\$2247	\$2598
PT30S	30"Sq.	4	29"	54	\$977	\$992	\$1023	\$1117	\$1308	\$1466	\$1658	\$2337	\$2682
PT36S	36"Sq.	4	29"	67	\$1048	\$1071	\$1116	\$1232	\$1462	\$1653	\$1887	\$2561	\$2884
PT42S	42"Sq.	4	29"	90	\$1272	\$1301	\$1390	\$1558	\$1895	\$2174	\$2509	\$3215	\$3499
PT48S	48"Sq.	4	29"	107	\$1492	\$1529	\$1641	\$1844	\$2251	\$2590	\$2996	\$3281	\$3643
PT54S	54"Sq.	4	29"	126	\$1723	\$1769	\$1920	\$2178	\$2692	\$3122	\$3637	\$4467	\$4739
PT60S	60"Sq.	4	29"	148	\$1868	\$1920	\$2108	\$2406	\$3000	\$3498	\$4093	\$4916	\$5145

POST | CAFÉ | ALMOST SQUARE



ALMOST SQUARE TOP

Model Number	TableTop Size	Number of Legs	Table Height	Shpg. Wght	LAMINATE TOP ASSORTED EDGES							VENEER TOP	
					GRP1	GRP2	GRP3	GRP4	GRP5	GRP6	GRP7	GRP8	GRP9
PT48AS	48" x 48"	4	29"	107	NA	\$1931	\$2132	\$2441	NA	\$3573	\$4190	\$4265	\$4530
PT54AS	54" x 54"	4	29"	126	NA	\$2161	\$2403	\$2762	NA	\$4083	\$4803	\$5619	\$5778
PT60AS	60" x 60"	4	29"	148	NA	\$2374	\$2665	\$3081	NA	\$4609	\$5440	\$6251	\$6345

OPTIONS

Add upcharge to list price and code to model number

CAS3	3" Locking Casters - Black	\$34	ea.
GD3	Flat Ganging Device for Café & Training Tables	\$144	per pair
STH	Special Table Height (other than 29")	\$66	per leg

SL	Square Leg/Column	\$141	per leg
PC	Polished Chrome (round leg only)	\$90	per leg
RAD	3" Radius Corners for 3MM Edge	\$262	per table
SLG	Self-Leveling Glide	\$11	per glide



30X60" RECTANGLE TRAINING TABLE
SHOWN WITH OPTIONAL CASTERS AND
SQUARE LEGS

MODEL / DESCRIPTION / LIST PRICING

POST | TRAINING | RECTANGLE



RECTANGLE

Model Number	TableTop Size	Number of Legs	Table Height	Shpg. Wght	LAMINATE TOP ASSORTED EDGES								VENEER TOP	
					GRP1	GRP2	GRP3	GRP4	GRP5	GRP6	GRP7	GRP8	GRP9	
PT2448	24X48	4	29"	70	\$1070	\$1089	\$1130	\$1242	\$1466	\$1653	\$1879	\$2591	\$2938	
PT2460	24X60	4	29"	79	\$1118	\$1141	\$1191	\$1318	\$1569	\$1779	\$2030	\$2738	\$3072	
PT2472	24X72	4	29"	88	\$1258	\$1283	\$1339	\$1480	\$1759	\$1989	\$2265	\$3077	\$3461	
PT2484	24X84	4	29"	97	\$1448	\$1478	\$1550	\$1716	\$2048	\$2328	\$2662	\$3567	\$3981	
PT2496	24X96	4	29"	106	\$1771	\$1804	\$1884	\$2065	\$2426	\$2728	\$3088	\$4027	\$4451	
PT3048	30X48	4	29"	79	\$1091	\$1115	\$1171	\$1299	\$1551	\$1764	\$2018	\$2692	\$3002	
PT3060	30X60	4	29"	118	\$1149	\$1176	\$1246	\$1389	\$1676	\$1913	\$2202	\$2875	\$3164	
PT3072	30X72	4	29"	147	\$1364	\$1393	\$1463	\$1624	\$1941	\$2206	\$2524	\$3369	\$3752	
PT3084	30X84	4	29"	113	\$1568	\$1601	\$1693	\$1886	\$2265	\$2585	\$2966	\$3903	\$4315	
PT3096	30X96	4	29"	158	\$1869	\$1907	\$2011	\$2220	\$2634	\$2979	\$3397	\$4332	\$4724	
PT3660	36X60	4	29"	131	\$1319	\$1348	\$1430	\$1593	\$1920	\$2194	\$2524	\$3298	\$3631	
PT3672	36X72	4	29"	163	\$1389	\$1421	\$1517	\$1699	\$2066	\$2371	\$2737	\$3508	\$3822	
PT3684	36X84	4	29"	129	\$1582	\$1621	\$1739	\$1960	\$2397	\$2762	\$3199	\$4033	\$4351	
PT3696	36X96	4	29"	176	\$1890	\$1936	\$2072	\$2311	\$2789	\$3186	\$3661	\$4495	\$4789	

OPTIONS

Add upcharge to list price and code to model number

CAS3	3" Locking Casters - Black	\$34	ea.
GD3	Flat Ganging Device for Café & Training Tables	\$144	per pair
STH	Special Table Height (other than 29")	\$66	per leg

SL	Square Leg/Column	\$141	per leg
PC	Polished Chrome (round leg only)	\$90	per leg
RAD	3" Radius Corners for 3MM Edge	\$262	per table
SLG	Self-Leveling Glide	\$11	per glide



BOOMER TABLE

MODEL / DESCRIPTION / LIST PRICING

POST | TRAINING | TILTED SQUARE



TILETED SQUARE

Model Number	Table Top Size	Number of Legs	Table Height	Shpg. Wght	LAMINATE TOP EDGES		
					2B	3A	6Q
PTTSQ	36" x 52"	4	29"	85	\$1275	\$1499	\$1689

POST | TRAINING | BOWED TRAPEZOID



BOWED TRAPEZOID

Model Number	Table Top Size	Number of Legs	Table Height	Shpg. Wght	LAMINATE TOP EDGES		
					2B	3A	6Q
PTTZD	28" x 60"	4	29"	90	\$1292	\$1520	\$1715

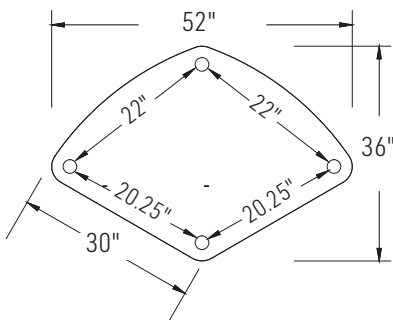
POST | TRAINING | BOOMER



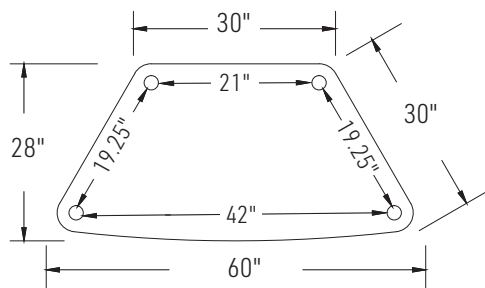
BOOMER

Model Number	Table Top Size	Number of Legs	Table Height	Shpg. Wght	LAMINATE TOP EDGES		
					2B	3A	6Q
PTBMR	42" x 66"	5	29"	102	\$1565	\$1830	\$2057

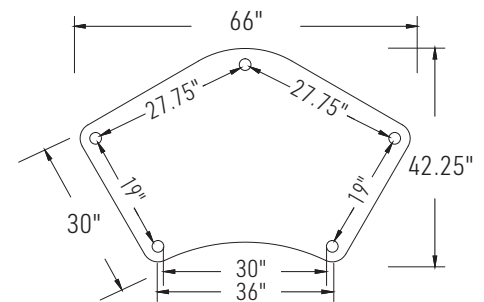
Note: These special shapes are available in 3 edge choices only.



TILETED SQUARE



TRAPEZOID



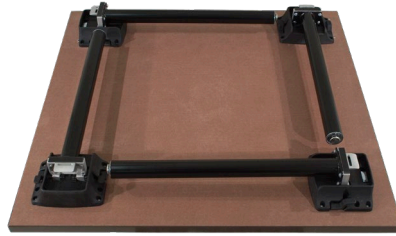
BOOMER

OPTIONS

Add upcharge to list price and code to model number

CAS3	3" Locking Casters - Black	\$34	ea.
GD3	Flat Ganging Device for Caf� & Training Tables	\$144	per pair
STH	Special Table Height (other than 29")	\$66	per leg

SL	Square Leg/Column	\$141	per leg
PC	Polished Chrome (round leg only)	\$90	per leg
SLG	Self-Leveling Glide	\$11	per glide



SQUARE FOLDING TABLE

MODEL / DESCRIPTION / LIST PRICING

POST | FOLDING | ROUND



ROUND

Model Number	Table Top Size	Number of Legs	Table Height	Shpg. Wght	LAMINATE TOP ASSORTED EDGES								VENEER TOP	
					GRP 1	GRP 2	GRP 3	GRP 4	GRP 5	GRP 6	GRP 7	GRP 8	GRP 9	
PF48D	48" Dia.	4	29"	114	\$2620	\$2683	\$2698	\$2842	\$3280	\$3645	\$4084	\$6001	\$7025	
PF54D	54" Dia.	4	29"	129	\$2642	\$2709	\$2720	\$2869	\$3321	\$3695	\$4145	\$6062	\$7078	
PF60D	60" Dia.	4	29"	147	\$2975	\$3067	\$3150	\$3363	\$3996	\$4523	\$5157	\$7051	\$7975	

POST | FOLDING | SQUARE



SQUARE

Model Number	Table Top Size	Number of Legs	Table Height	Shpg. Wght	LAMINATE TOP ASSORTED EDGES								VENEER TOP	
					GRP 1	GRP 2	GRP 3	GRP 4	GRP 5	GRP 6	GRP 7	GRP 8	GRP 9	
PF42S	42" Sq.	4	29"	113	\$2443	\$2496	\$2470	\$2587	\$2929	\$3214	\$3555	\$5482	\$6560	
PF48S	48" Sq.	4	29"	130	\$2577	\$2638	\$2640	\$2777	\$3194	\$3539	\$3954	\$5869	\$6910	
PF54S	54" Sq.	4	29"	149	\$2762	\$2834	\$2877	\$3049	\$3565	\$3993	\$4508	\$6416	\$7401	
PF60S	60" Sq.	4	29"	171	\$3007	\$3102	\$3194	\$3410	\$4057	\$4604	\$5255	\$7151	\$8060	

POST | FOLDING | RECTANGLE



RECTANGLE

Model Number	Table Top Size	Number of Legs	Table Height	Shpg. Wght	LAMINATE TOP ASSORTED EDGES								VENEER TOP	
					GRP 1	GRP 2	GRP 3	GRP 4	GRP 5	GRP 6	GRP 7	GRP 8	GRP 9	
PF3060	30 X 60	4	29"	106	\$2624	\$2688	\$2705	\$2847	\$3290	\$3656	\$4098	\$6013	\$7038	
PF3072	30 X 72	4	29"	118	\$2717	\$2786	\$2820	\$2984	\$3475	\$3883	\$4370	\$6285	\$7282	
PF3084	30 X 84	4	29"	147	\$2885	\$2973	\$3039	\$3235	\$3820	\$4306	\$4894	\$6794	\$7740	
PF3096	30 X 96	4	29"	158	\$3168	\$3256	\$3334	\$3536	\$4142	\$4651	\$5261	\$7159	\$8091	
PF3660	36 X 60	4	29"	118	\$2757	\$2831	\$2873	\$3046	\$3557	\$3988	\$4502	\$6410	\$7396	
PF3672	36 X 72	4	29"	131	\$2862	\$2948	\$3010	\$3198	\$3769	\$4246	\$4819	\$6720	\$7672	
PF3684	36 X 84	4	29"	163	\$3000	\$3094	\$3182	\$3397	\$4044	\$4581	\$5228	\$7124	\$8037	
PF3696	36 X 96	4	29"	176	\$3342	\$3445	\$3555	\$3790	\$4494	\$5080	\$5782	\$7675	\$8554	

Detail of Folding Mechanism



Note: Folding legs are only available with round column.

OPTIONS

Add upcharge to list price and code to model number

CAS3	3" Mobile Casters	\$34	ea.
GD3	Flat Ganging Device for Caf� & Training Tables	\$144	per pair
STH	Special Table Height (other than 29")	\$66	per leg

PC	Polished Chrome (round leg only)	\$90	per leg
RAD	3" Radius Corners for 3MM Edge	\$262	per table
SLG	Self-Leveling Glide	\$11	per glide

MODEL / DESCRIPTION / LIST PRICING

POST | CONFERENCE | RECTANGLE



Model Number	Table Top Size	Number of Legs	Table Height	Shpg. Wght	LAMINATE TOP ASSORTED EDGES									VENEER TOP	
					GRP1	GRP2	GRP3	GRP4	GRP5	GRP6	GRP7	GRP8	GRP9		
PC4272	42X72	4	29"	207	\$2656	\$2808	\$2984	\$3528	\$4822	\$5161	\$5843	\$8818	\$11219		
PC4284	42X84	4	29"	234	\$2839	\$3007	\$3216	\$3828	\$5280	\$5665	\$6429	\$9572	\$12081		
PC4296	42X96	4	29"	262	\$3260	\$3446	\$3689	\$4370	\$5979	\$6403	\$7250	\$10561	\$13187		
PC4872	48X72	4	29"	220	\$2785	\$2948	\$3147	\$3739	\$5141	\$5510	\$6251	\$9342	\$11821		
PC4884	48X84	4	29"	234	\$3154	\$3338	\$3565	\$4233	\$5824	\$6244	\$7082	\$10583	\$13389		
PC4896	48X96	4	29"	280	\$3590	\$3793	\$4053	\$4797	\$6558	\$7021	\$7952	\$11634	\$14563		
PC48108*	48X108	6	29"	310	N/A	\$4162	\$4450	\$5264	\$7196	\$7706	\$8722	\$12800	\$16044		
PC48120*	48X120	6	29"	340	N/A	\$4380	\$4701	\$5590	\$7692	\$8247	\$9355	\$13611	\$16976		
PC48144*	48X144	6	29"	380	N/A	\$5123	\$5493	\$6518	\$8962	\$9607	\$10894	\$15938	\$19936		
PC6096	60X96	4	29"	316	\$3938	\$4175	\$4499	\$5371	\$7436	\$7977	\$9063	\$13066	\$16208		
PC60108*	60X108	6	29"	351	N/A	\$4675	\$5047	\$6029	\$8367	\$8982	\$10211	\$14713	\$18249		
PC60120*	60X120	6	29"	385	N/A	\$4922	\$5335	\$6402	\$8937	\$9601	\$10935	\$15642	\$19314		
PC60144*	60X144	6	29"	410	N/A	\$5940	\$6428	\$7706	\$10737	\$11537	\$13133	\$18904	\$23421		

* Asterisk after model number indicates 2 piece tops with center seam for tables over 96"

POST | CONFERENCE | RACETRACK



Model Number	Table Top Size	Number of Legs	Table Height	Shpg. Wght	LAMINATE TOP ASSORTED EDGES									VENEER TOP	
					GRP1	GRP2	GRP3	GRP4	GRP5	GRP6	GRP7	GRP8	GRP9		
PC4272RT	42X72	4-3"	29"	207	\$3013	\$3195	\$3437	\$4111	\$5711	\$6133	\$6977	\$10280	\$12894		
PC4284RT	42X84	4-3"	29"	234	\$3192	\$3396	\$3673	\$4412	\$6170	\$6636	\$7563	\$11027	\$13759		
PC4296RT	42X96	4-3"	29"	262	\$3374	\$3594	\$3903	\$4711	\$6631	\$7135	\$8145	\$11781	\$14622		
PC4872RT	48X72	4-3"	29"	220	\$3137	\$3335	\$3599	\$4321	\$6034	\$6483	\$7384	\$10799	\$13498		
PC4884RT	48X84	4-3"	29"	250	\$3506	\$3725	\$4018	\$4818	\$6716	\$7215	\$8215	\$12042	\$15066		
PC4896RT	48X96	4-3"	29"	280	\$4048	\$4297	\$4644	\$5553	\$7718	\$8285	\$9424	\$13529	\$16741		
PC48108RT*	48X108	6-3"	29"	310	N/A	\$4627	\$4994	\$5965	\$8267	\$8872	\$10083	\$14549	\$18059		
PC48120RT*	48X120	6-3"	29"	340	N/A	\$4846	\$5248	\$6287	\$8762	\$9415	\$10718	\$15359	\$18990		
PC48144RT*	48X144	6-3"	29"	380	N/A	\$5586	\$6035	\$7218	\$10032	\$10773	\$12256	\$17687	\$21950		
PC6096RT	60X96	4-3"	29"	316	\$4359	\$4642	\$5046	\$6071	\$8501	\$9143	\$10423	\$14815	\$18218		
PC60108RT*	60X108	6-3"	29"	351	N/A	\$5140	\$5592	\$6728	\$9436	\$10147	\$11575	\$16465	\$20260		
PC60120RT*	60X120	6-3"	29"	385	N/A	\$5308	\$5788	\$6985	\$9827	\$10574	\$12069	\$17100	\$20991		
PC60144RT*	60X144	6-3"	29"	410	N/A	\$7010	\$7677	\$9309	\$13191	\$14209	\$16252	\$22914	\$28034		

* Asterisk after model number indicates 2 piece tops with center seam for tables over 96"

OPTIONS

Add upcharge to list price and code to model number

GD3	Flat Ganging Device for Café & Training Tables	\$144	per pair
COT	Oval table top - add to rectangle top price		add 20%
CBT	Boat table top - add to rectangle top price		add 25%
PC	Polished Chrome (round leg only)	\$90	per leg

STH	Special Table Height (other than 29")	\$66	per leg
RAD	Radius Corners for 3MM Edge	\$262	per table
CAT	Almost Rectangle table top		add 25%
SLG	Self-Leveling Glide	\$11	per glide



POST JR. 30" SQUARE TABLE



POST JR. 30" ROUND TABLE

ORDERING INFORMATION

- | | |
|-----------------|-------------------------------|
| 1) Series Name | 5) Powder Coat Paint Color |
| 2) Model Number | 6) Laminate Selection and No. |
| 3) Size | 7) Edge Style Code and Color |
| 4) Quantity | 8) Optional Items |

BASE SPECIFICATIONS

Legs: The Post Jr. leg is made with 2", 14 gauge round steel tubing.

Plate: 2" x 4" stamped metal plate

Glides: Adjustable steel glides

Assembly: Post base is a completely welded one piece base, no tie-rod assembly. The top plate is welded to the vertical column. Base mounts to tabletop with ¼-20 x 1" machine screws into metal inserts in top; NO WOOD SCREWS ARE USED.

STANDARD BASE FINISHES

Metal Legs: Standard Powder Coat

TABLE TOP SPECIFICATIONS

Table Tops

Table top core is CARB Compliant 1.25" particle board. Laminate and phenolic backing are glued with water based adhesives.

COLOR / EDGE SELECTIONS

Laminate/Veneer Selections

ERG offers over 1000 standard laminate choices from Nevamar, Wilsonart, Formica and Pionite. Wood veneer is available in transparent stain colors - custom stain matching available for an upcharge.

Edge Selections

ERG offers a wide variety of table top edge materials including PVC, wood, aluminum and resin/urethane.

Special Edge Note: When ganging or butting tables together, ERG recommends using 3MM flat edge or flat wood edge. Square tables using **T-MOLD** edge will have a 3" radius on all corners.

OPTIONS

- CODE: CAS3 - 3" Black Locking Casters
- CODE: GD - Flat Ganging Device for Café & Training Tables
- CODE: STH - Special Table Height (other than 20" or 24")
- CODE: SLG - Self-Leveling Glide



BLACK LOCKING CASTERS



POST JR. 36" ROUND TABLE,
SHOWN WITH 24"H AND ELLIOT JR. CHAIRS



POST JR. 30" SQUARE TABLE, SHOWN WITH
20"H AND BENTON JR. CHAIRS

MODEL / DESCRIPTION / LIST PRICING

POST | JUNIOR | SQUARE



SQUARE

Model Number	Table Top Size	Number of Legs	Table Height	Shpg. Wght	LAMINATE TOP ASSORTED EDGES			
					GRP1	GRP2	GRP3	GRP4
1357	30"x30"	4	20"	48	\$1061	\$1114	\$1196	\$1689

POST | JUNIOR | ROUND



ROUND

Model Number	Table Top Size	Number of Legs	Table Height	Shpg. Wght	LAMINATE TOP ASSORTED EDGES			
					GRP 1	GRP 2	GRP 3	GRP 4
1358	30" D	4	20"	40	\$1049	\$1102	\$1183	\$1665
1359	36" D	4	24"	50	\$1114	\$1177	\$1354	\$1924

OPTIONS

Add upcharge to list price and code to model number

CAS3	Black Locking Casters	\$34	ea.
GD3	Flat Ganging Device for Café & Training Tables	\$144	per pair

STH	Special Table Height (other than 20" or 24")	\$66	per leg
SLG	Self-Leveling Glide	\$11	per glide